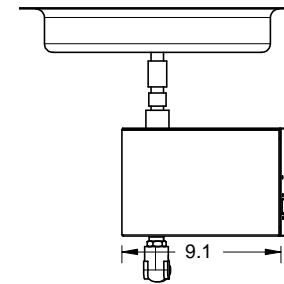
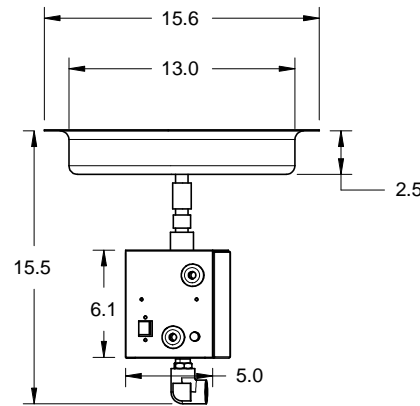
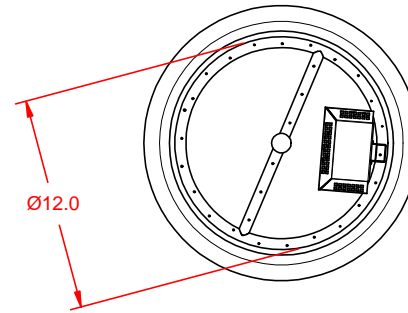



Click Image to View in 3D

REVISIONS				
ZONE	REV	DESCRIPTION	DATE	APPROVED



Materials: Pan, Burner, and Valve Box Are All 304 Stainless Steel Construction  Overall Height +- 2.0 Depending on Configuration	DRAWN	DATE	<b>R13EI</b>   Serving Commercial and Residential Clientele			
	Mike Adkins	1/5/2010				
	CHECKED		SIZE	FSCM NO.	DWG NO.	REV
	QA		<b>A</b>		R13EI	
MFG		SCALE			SHEET	
APPROVED						