

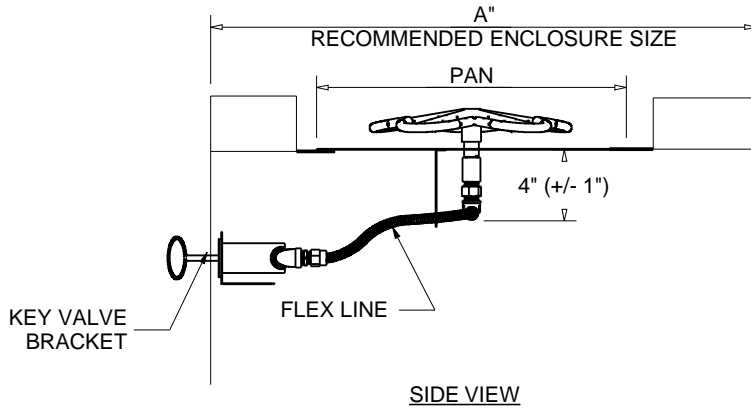
EXOTIC FLAMES

Serving Commercial and Residential Clientele

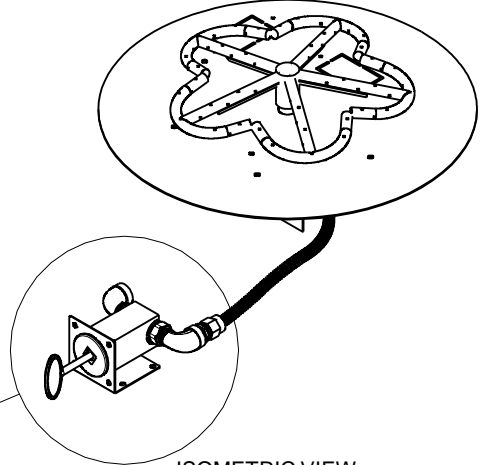
EXOTIC FLAMES
 EMAIL: sales@exoticflames.com
 PHONE: (949) 858-5954
 FAX: (949) 272-2324
 WEB: www.exoticflames.com

Exotic Flames

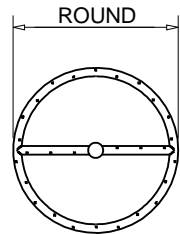
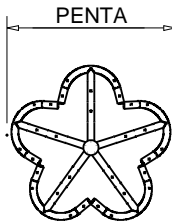
CSA CERTIFIED-OUTDOOR USE ONLY
 FOR COMMERCIAL AND RESIDENTIAL USE



BRACKET DETAIL

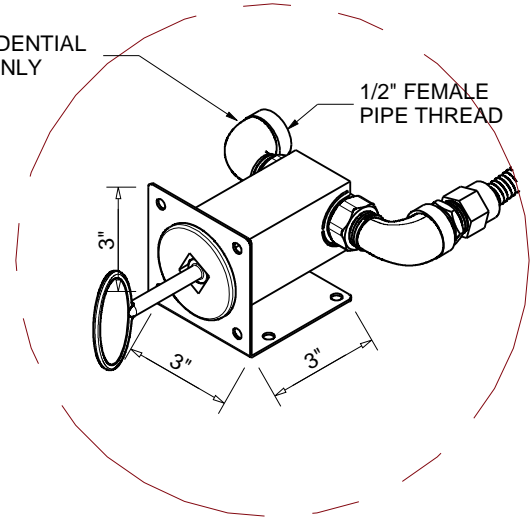


ISOMETRIC VIEW



BURNERS

GAS IN: RESIDENTIAL
 PRESSURE ONLY



BRACKET DETAIL

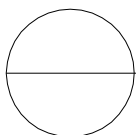
MATERIAL: 304 STAINLESS STEEL

PART NUMBERS	DIMENSION CHART						
	PAN	BURNER 1		BURNER 2		A"	STND FLEX LINE LENGTH
PENTA BURNER		SIZE	BTU	SIZE	BTU		
ML14FPKITFLT	13.75"	12"	65K	-	-	45"	36"
ML18FPKITFLT	17.75"	12"	65K	-	-	45"	36"
ML24FPKITFLT	23.75"	18"	65K	12"	65K	54"	36"
ML30FPKITFLT	29.75"	18"	65K	12"	65K	54"	36"

PART NUMBER	DIMENSION CHART						
	PAN	BURNER 1		BURNER 2		A"	STND FLEX LINE LENGTH
ROUND BURNER		SIZE	BTU	SIZE	BTU		
ML8FPKITFLT	7.75"	6"	40K	-	-	-	36"

Notes:

- PROPER VENTING
 - ENCLOSURES: Recommend 4 each 18 sq.in. vents on opposing sides (Minimum 2 each 18 sq.in. vents).
 - GAS SUPPLY - FOR USE WITH FIXED PIPING SYSTEMS OR FOR USE WITH SMALL TANKS UP TO 90K.
 - Natural Gas: Operating Supply Pressure: Minimum: 6.0" W.C.; Maximum: 7.0" W.C.
 - LP Gas: Operating Supply Pressure: Minimum: 10.0" W.C.; Maximum: 11.0" W.C.
- IMPORTANT: Ensure any flex line that may be used from the permanent main fuel supply to the product is rated to the stated max btu of the product and certified to ANSI Z21.75*CSA 6.27.
- MODIFICATION OF PRODUCT WILL VOID ANY CERTIFICATION AND WARRANTY.
 - FOLLOW ALL MANUFACTURER INSTALLATION INSTRUCTIONS AND LOCAL CODES.
 - ALL DIMENSIONS ARE CONSIDERED TRUE AND REFLECT MANUFACTURER'S SPECIFICATIONS AS OF THE REVISION DATE.
 - DO NOT SCALE DRAWING.
 - THESE DRAWINGS ARE FOR SIZING AND PLANNING PURPOSES. ALL INFORMATION CONTAINED HEREIN WAS CURRENT AT THE TIME OF DEVELOPMENT. THE MANUFACTURER'S RESPONSIBLE FOR THE ACCURACY OF THE DRAWING.
 - CONTRACTOR'S NOTE: FOR PRODUCT AND COMPANY INFORMATION VISIT www.CADdetails.com/info REFERENCE NUMBER 771-008.



MATCH LIT FIRE PIT INSERT - WITH FLEX LINE

FLAT ROUND PAN - MLFPK